



**Pro-Line Cube,
when space is limited!**



Limited space, the perfect solution

The CUBE is the perfect solution when there is only limited space.

The CUBE sections concertina compactly behind the structural opening, therefore a limited depth for the installation is not a problem.

The CUBE is available with A40 (aluminium), if required combined with S40 (steel), sections. The use of aluminium sections means that the door can be designed with extensive creative freedom. We only use high-quality components to ensure a long and trouble-free life.

The CUBE is characterised by:

- Compact installation
- Very suitable for installation in combination with a crane track
- Vehicle lifts can be installed immediately behind the door
- High-quality aluminium profiles
- Strong and stable
- Simple to maintain
- Silent

Version

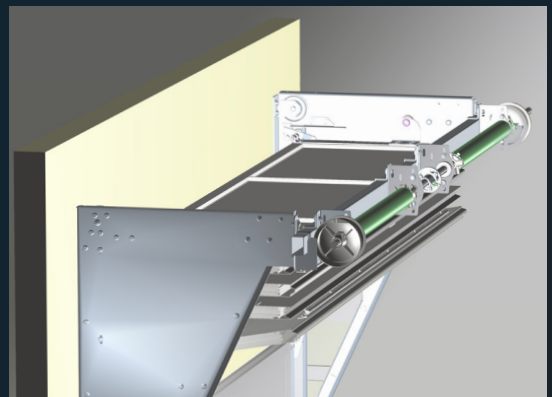
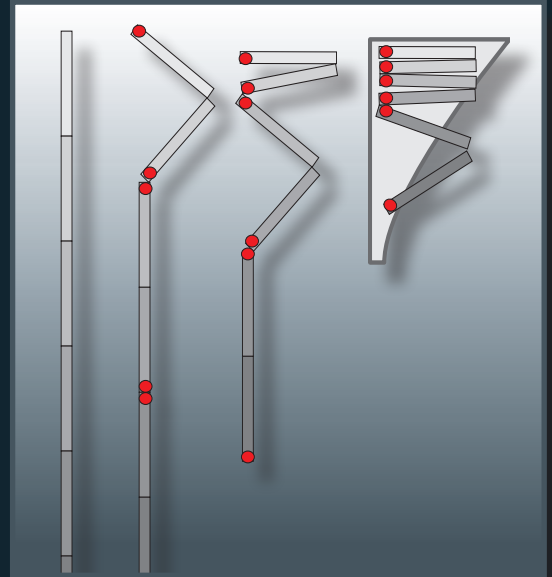
The CUBE is supplied as standard with anodised aluminium A40 sections. The colour can be tailored to your wishes. The sections can be powder coated in more or less any conceivable colour. You can choose from many possible fillings, completely blank to transparent glazing. The A40 sections can be combined with S40 steel sandwich sections.

More or less every wish can be translated into an appropriate solution.

The CUBE always has an EVEN number of sections where each section in a pair (2 sections) always has the same height (at the maximum 650 mm). For each pair of sections, one section always has the hinges on the outside. The spring system is ALWAYS pre-mounted on a box section that can be quickly and simply installed.

Security

When designing the CUBE, safety was at the forefront. The CUBE industrial door meets the CE requirements laid down in the European guideline for industrial doors (NEN-EN 13241-1). In combination with a drive, you can choose from various safety devices and operating options.



Characteristics of the Cube

The CUBE is our technological show piece. The robust concept and the use of high-quality materials guarantee problem-free operation.

The CUBE is a reliable and durable aluminium door offering a wide range of options.

Each door is designed and constructed completely to your individual wishes.

This makes every CUBE unique, meaning that it can reflect the individual styling of your building and your corporate identity.

Technical data

Maximum dimensions (w x h)	:	4500 x 4750 mm
Section filling	:	Windows, glass and open/blank fillings in various versions.
Required clearance at the top:	Top	: 1100 mm
	Behind	: 850 mm
Required free installation depth:	Top	: 750 mm
	Behind	: 1000 mm
Required side clearance:	Side	: 95 mm
	Operating side	: 360 mm
Standard colour	:	Anodised aluminium in all possible RAL colours
Wind load	:	Class 4
Water load	:	Class 3
Air permeability	:	Class 3
Heat insulation	:	3.84 W/M ² *K (fully acrylic double)
Drive	:	Electrical
Operating equipment	:	Standard control box, various options

Values mentioned above apply to a door size of 4000 x 3500 mm

